

The top half of the page features a large, abstract graphic. It consists of several concentric, semi-circular bands in shades of gray and white, creating a sense of depth and motion. On the left side, there are several horizontal bars of varying lengths, resembling a barcode or a data visualization. In the center-right, there is a prominent target symbol with a white bullseye and a vertical line passing through it. The overall aesthetic is clean, modern, and technical.

**HIKVISION**

**DS-K2600 Series**  
**Access Controller**  
**Quick Start Guide**

UD01216B-A

## **User Manual**

COPYRIGHT ©2016 Hangzhou Hikvision Digital Technology Co., Ltd.

### **ALL RIGHTS RESERVED.**

Any and all information, including, among others, wordings, pictures, graphs are the properties of Hangzhou Hikvision Digital Technology Co., Ltd. or its subsidiaries (hereinafter referred to be “Hikvision”). This user manual (hereinafter referred to be “the Manual”) cannot be reproduced, changed, translated, or distributed, partially or wholly, by any means, without the prior written permission of Hikvision. Unless otherwise stipulated, Hikvision does not make any warranties, guarantees or representations, express or implied, regarding to the Manual.

### **About this Manual**

This Manual is applicable to Access Controller

<b>Product Name</b>	<b>Serials</b>
Access Controller	DS-K2601 Serials Access Controller
	DS-K2602 Serials Access Controller
	DS-K2604 Serials Access Controller

The Manual includes instructions for using and managing the product. Pictures, charts, images and all other information hereinafter are for description and explanation only. The information contained in the Manual is subject to change, without notice, due to firmware updates or other reasons. Please find the latest version in the company website (<http://overseas.hikvision.com/en/>).

Please use this user manual under the guidance of professionals.

### **Trademarks Acknowledgement**

***HIKVISION*** and other Hikvision’s trademarks and logos are the properties of Hikvision in various jurisdictions. Other trademarks and logos mentioned below are the properties of their respective owners.

## **Legal Disclaimer**

TO THE MAXIMUM EXTENT PERMITTED BY APPLICABLE LAW, THE PRODUCT DESCRIBED, WITH ITS HARDWARE, SOFTWARE AND FIRMWARE, IS PROVIDED “AS IS”, WITH ALL FAULTS AND ERRORS, AND HIKVISION MAKES NO WARRANTIES, EXPRESS OR IMPLIED, INCLUDING WITHOUT LIMITATION, MERCHANTABILITY, SATISFACTORY QUALITY, FITNESS FOR A PARTICULAR PURPOSE, AND NON-INFRINGEMENT OF THIRD PARTY. IN NO EVENT WILL HIKVISION, ITS DIRECTORS, OFFICERS, EMPLOYEES, OR AGENTS BE LIABLE TO YOU FOR ANY SPECIAL, CONSEQUENTIAL, INCIDENTAL, OR INDIRECT DAMAGES, INCLUDING, AMONG OTHERS, DAMAGES FOR LOSS OF BUSINESS PROFITS, BUSINESS INTERRUPTION, OR LOSS OF DATA OR DOCUMENTATION, IN CONNECTION WITH THE USE OF THIS PRODUCT, EVEN IF HIKVISION HAS BEEN ADVISED OF THE POSSIBILITY OF SUCH DAMAGES.

REGARDING TO THE PRODUCT WITH INTERNET ACCESS, THE USE OF PRODUCT SHALL BE WHOLLY AT YOUR OWN RISKS. HIKVISION SHALL NOT TAKE ANY RESPONSIBILITIES FOR ABNORMAL OPERATION, PRIVACY LEAKAGE OR OTHER DAMAGES RESULTING FROM CYBER ATTACK, HACKER ATTACK, VIRUS INSPECTION, OR OTHER INTERNET SECURITY RISKS; HOWEVER, HIKVISION WILL PROVIDE TIMELY TECHNICAL SUPPORT IF REQUIRED.

SURVEILLANCE LAWS VARY BY JURISDICTION. PLEASE CHECK ALL RELEVANT LAWS IN YOUR JURISDICTION BEFORE USING THIS PRODUCT IN ORDER TO ENSURE THAT YOUR USE CONFORMS THE APPLICABLE LAW. HIKVISION SHALL NOT BE LIABLE IN THE EVENT THAT THIS PRODUCT IS USED WITH ILLEGITIMATE PURPOSES.

IN THE EVENT OF ANY CONFLICTS BETWEEN THIS MANUAL AND THE APPLICABLE LAW, THE LATER PREVAILS.

## Regulatory Information

### FCC Information

Please take attention that changes or modification not expressly approved by the party responsible for compliance could void the user's authority to operate the equipment.

**FCC compliance:** This equipment has been tested and found to comply with the limits for a Class B digital device, pursuant to part 15 of the FCC Rules. These limits are designed to provide reasonable protection against harmful interference in a residential installation. This equipment generates, uses and can radiate radio frequency energy and, if not installed and used in accordance with the instructions, may cause harmful interference to radio communications. However, there is no guarantee that interference will not occur in a particular installation. If this equipment does cause harmful interference to radio or television reception, which can be determined by turning the equipment off and on, the user is encouraged to try to correct the interference by one or more of the following measures:

- Reorient or relocate the receiving antenna.
- Increase the separation between the equipment and receiver.
- Connect the equipment into an outlet on a circuit different from that to which the receiver is connected.
- Consult the dealer or an experienced radio/TV technician for help.

### FCC Conditions

This device complies with part 15 of the FCC Rules. Operation is subject to the following two conditions:

1. This device may not cause harmful interference.
2. This device must accept any interference received, including interference that may cause undesired operation.

### EU Conformity Statement



This product and - if applicable - the supplied accessories too are marked with "CE" and comply therefore with the

applicable harmonized European standards listed under the R&TTE Directive 1999/5/EC, the EMC Directive 2014/30/EU, the LVD Directive 2014/35/EU, the RoHS Directive 2011/65/EU.



2012/19/EU (WEEE directive): Products marked with this symbol cannot be disposed of as unsorted municipal waste in the European Union. For proper recycling, return this product to your local supplier upon the purchase of equivalent new equipment, or dispose of it at designated collection points. For more information see:

[www.recyclethis.info](http://www.recyclethis.info).



2006/66/EC (battery directive): This product contains a battery that cannot be disposed of as unsorted municipal waste in the European Union. See the product documentation for specific battery information. The battery is marked with this symbol, which may include lettering to indicate cadmium (Cd), lead (Pb), or mercury (Hg). For

proper recycling, return the battery to your supplier or to a designated collection point. For more information see: [www.recyclethis.info](http://www.recyclethis.info).

### **Industry Canada ICES-003 Compliance**

This device meets the CAN ICES-3 (A)/NMB-3(A) standards requirements.




## Preventive and Cautionary Tips

Before connecting and operating your device, please be advised of the following tips:

- Ensure unit is installed in a well-ventilated, dust-free environment.
- Keep all liquids away from the device.
- Ensure environmental conditions meet factory specifications.
- Ensure unit is properly secured to a rack or shelf. Major shocks or jolts to the unit as a result of dropping it may cause damage to the sensitive electronics within the unit.
- Use the device in conjunction with an UPS if possible.
- Power down the unit before connecting and disconnecting accessories and peripherals.
- A factory recommended HDD should be used for this device.
- Improper use or replacement of the battery may result in hazard of explosion. Replace with the same or equivalent type only. Dispose of used batteries according to the instructions provided by the manufacturer.



### Safety Information

Signs	Description
 <b>Warning</b>	Follow these safeguards to prevent serious injury or death.
 <b>Note</b>	Follow these precautions to prevent potential injury or material damage.
 <b>Tips</b>	The additional information as a complimentary of the contents.



### Warnings:

Please adopt the power adapter from the legitimate factory which can meet the safety extra low voltage (SELV) standard.

Do not install, wiring, or uninstall when the power is still on.

To reduce the risk of fire or electrical shock, do not expose this product to rain or moisture.

This installation should be made by a qualified service person and should conform to all the local codes.

If the product does not work properly, please contact your dealer or the nearest service center. Never attempt to disassemble the camera yourself. (We shall not assume any responsibility for problems caused by unauthorized repair or maintenance.)



**Note:**

Please do not drop the objects on hard surface, and keep the equipment from the magnetic field. Avoid install the equipment to the vibrated or vulnerable places.

Please do not install the device in the extreme temperature (higher than 65°C or lower than -20°C)

Keep ventilation.

Do not operate in humid environment.

Do not operate in explosive environment.

Keep the device clean and dry.

Avoid bare electrical wire.

# Table of Contents

<b>1 Product Description .....</b>	<b>3</b>
1.1 Overview .....	3
1.2 Main Feature .....	3
<b>2 Appearance .....</b>	<b>5</b>
2.1 Component Description.....	5
2.1.1 Access Controller Component Schematic Diagram .....	5
<b>3 Terminal Connection.....</b>	<b>7</b>
3.1 Terminals Description .....	7
3.1.1 DS-K2601Terminal Description.....	7
3.1.2 DS-K2602Terminal Description.....	11
3.1.3 DS-K2604 Terminal Description.....	16
<b>4 Card Reader Installation .....</b>	<b>22</b>
4.1 External Terminal.....	22
4.1.1 DS-K2601 External Terminals .....	22
4.1.2 DS-K2602 External Terminals .....	22
4.1.3 DS-K2604 External Terminals .....	22
4.2 Card Reader Installation .....	23
4.2.4 The Connection of Wiegand Card Reader .....	23
4.2.5 RS485 Card Reader Connection.....	24
4.3 Installing E-Lock .....	24
4.3.1 Installation of Cathode Lock.....	24
4.3.2 Installation of Anode Lock.....	25
4.4 Connecting the External Alarm Device .....	25
4.5 Door Button Wiring Diagram.....	26
4.6 The Connection of Magnetics Detection .....	26
4.7 Connecting Power Supply .....	27



- 4.8 Arming Region Input Terminal ..... 27
  - 4.8.1 Connecting Normally Open Detector ..... 27
  - 4.8.2 Connecting Normally Closed Detector ..... 28
- 4.9 Fire Alarm Module Wiring ..... 28
- 5 Settings ..... 29**
  - 5.1 Initializing the Hardware ..... 29
  - 5.2 Relay Input NO/NC ..... 29
    - 5.2.1 Lock Relay Output ..... 29
    - 5.2.2 Alarm Relay Output Status ..... 30
- 6 Activating the Control Panel ..... 32**
  - 6.1 Activation via SADP Software ..... 32
  - 6.2 Activation via Client Software ..... 34

# 1 Product Description

---

## 1.1 Overview

DS-K2600 is a powerful and stable access controller, using the logical architecture design. DS-K2600 is designed with TCP/IP network interface and its signal processed with special encryption and can be run offline. Anti-tampering function is also supported.

## 1.2 Main Feature

- The access controller is equipped with 32-bit high-speed processor;
- Supports TCP/IP network communication, with self-adaptive network interface. The communication data is specially encrypted to relieve the concern of privacy leak;
- Support recognition and storage of card number with maximum length of 20;
- The access controller can store 100 thousand legal cards and 300 thousand card swiping records;
- Supports multi-door interlock function, anti-passback function, multi-card function, first card open function, super card and super password function, online upgrade function and remote control of the doors;
- Supports tamper-proof alarm for card reader, alarm for door not secured, force opening door alarm, alarm for door opening timeout, duress card and code alarm, blacklist alarm and alarm for illegal card swiping attempts reaching the limit.;
- The alarm input of controller supports short circuit protection function and cut-proof function;
- Supports RS485 interface and Wiegand interface for accessing card reader. RS485 interface adopts dual-interface design and supports loop breakpoint detection and redundancy function; Wiegand interface supports W26, W34 and is seamlessly compatible with third-party card reader with Wiegand interface;
- Supports various card types as normal/ disabled/ blacklist/ patrol/ guest/ duress/ super card, etc.;
- Various indicators to show different status;

- Supports time synchronization via NTP, manual or automatic method;
- Supports record storage function when it is offline and insufficient storage space storage alarm function;
- The access controller has backup battery design, watchdog design and tamper-proof function;
- Data can be permanently saved after the access controller is powered off.
- Supports I/O linkage, and event linkage;
- Supports Ehome protocol, DNS domainn name analysis, and inter-network communication.
- 500 groups of password under the authentication mode of card and password;

# 2 Appearance

## 2.1 Component Description

### 2.1.1 Access Controller Component Schematic Diagram

Take DS-K2604 as an example, the component schematic diagram is shown below.

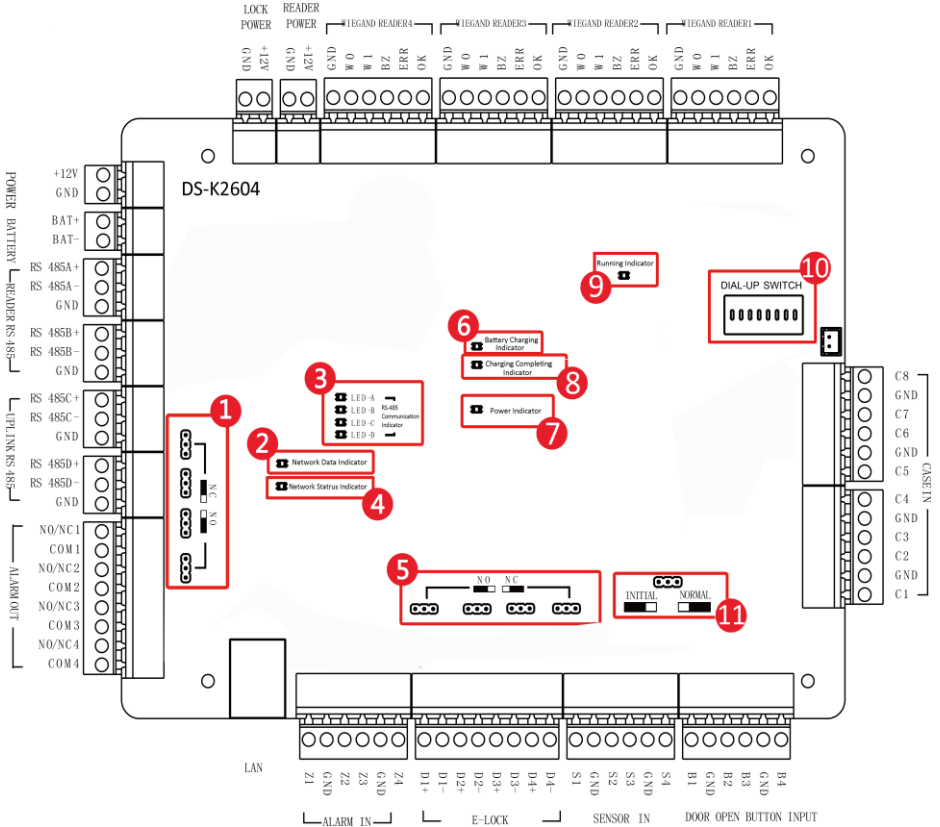


Figure 2-1 DS-K2604 Component Schematic Diagram

Table 2-1 DS-K2600 Component Description

No.	Component Description		
	DS-K2601	DS-K2602	DS-K2604
1	Alarm Relay Output Status (NC/NO)		
2	Network Data Indicator		
3	RS-485 Communication Indicator		
4	Network Status Indicator		
5	Door Relay Output Status (NC/NO) Choice		
6	Battery Charging Indicator		
7	Power Indicator		
8	Charging Completing Indicator		
9	Running Indicator		
10	Hardware Initialization and Normal Working Choice		
11	Main board dial-up switch/ Reserved		

# 3 Terminal Connection

## 3.1 Terminals Description

### 3.1.1 DS-K2601 Terminal Description

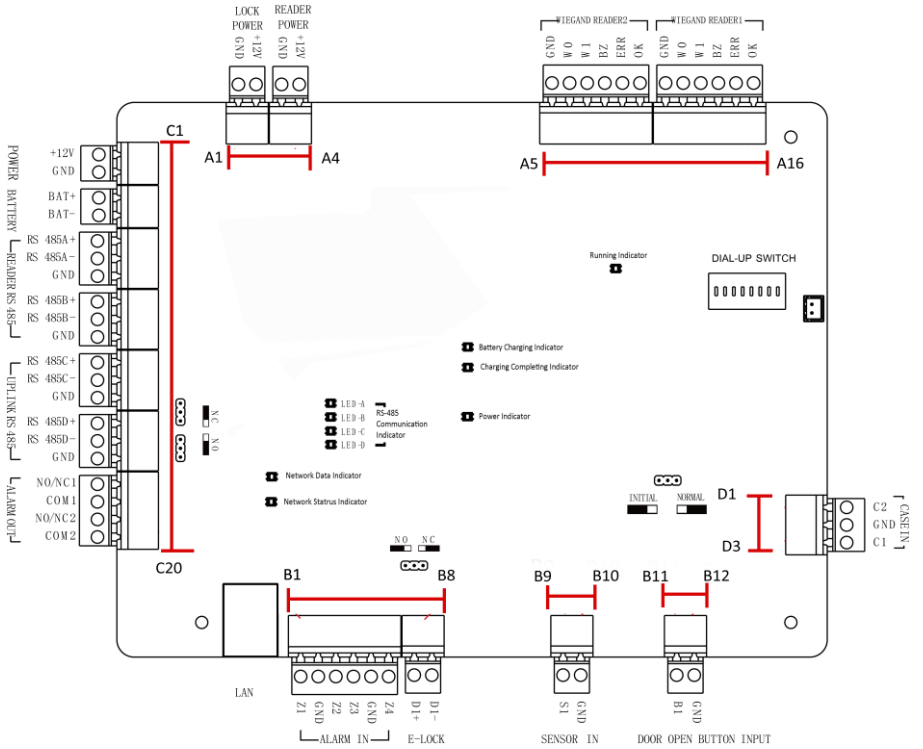


Figure 3-1 DS-K2601 Terminals

Table 3-1 DS-K2601 Terminal Description

No.	DS-K2601		
A1	Lock Power	GND	Grounding
A2		+12V	Power Output of the Lock
A3	Card Reader Power	GND	Grounding
A4		+12V	Power Output of the Head Read
A5	Wiegand Card Reader 2	GND	Grounding
A6		W0	Wiegand Head Read Data Input Data0
A7		W1	Wiegand Head Read Data Input Data1
A8		BZ	Card Reader Buzzer Control Output
A9		ERR	Indicator of Card Reader Control Output (Invalid Card Output)
A10		OK	Indicator of Card Reader Control Output (Valid Card Output)
A11	Wiegand Card Reader 1	GND	Grounding
A12		W0	Wiegand Head Read Data Input Data0
A13		W1	Wiegand Head Read Data Input Data1
A14		BZ	Card Reader Buzzer Control Output
A15		ERR	Indicator of Card Reader Control Output (Invalid Card Output)
A16		OK	Indicator of Card Reader Control Output (Valid Card Output)
B1	Arming Region Input	Z1	Arming Region Access Terminal 1 (Only for Linkage of Alarm Relay Output)
B2		GND	Grounding

No.	DS-K2601		
B3		Z2	Arming Region Access Terminal 2 (Only for Linkage of Alarm Relay Output)
B4		Z3	Arming Region Access Terminal 3 (Only for Linkage of Alarm Relay Output)
B5		GND	Grounding
B6		Z4	Arming Region Access Terminal 4 (Only for Linkage of Alarm Relay Output)
B7	E-Lock	D1+	Door 1 Door Relay Input (Dry Contact)
B8		D1-	
B9	Door Contact Input	S1	Door 1 Door Contact Detector Input
B10		GND	Grounding
B11	Door Open Button	B1	Door 1 Door Open Button Input
B12		GND	Grounding
C1	Power	+12V	DC12V Cathode
C2		GND	DC12V Grounding Input
C3	Battery	BAT+	DC12V Battery Cathode
C4		BAT-	DC12V Battery Anode
C5	485 Card Reader	RS 485A+	Card Reader RS485+ Access
C6		RS 485A-	Card Reader RS485- Access
C7		GND	Grounding
C8		RS 485B+	Card Reader RS485+
C9		RS 485B-	Card Reader RS485-



No.	DS-K2601		
C10		GND	Grounding
C11	Access Controller RS485 Interface	RS 485C+	Uplink Communication Serial Port
C12		RS 485C-	
C13		GND	
C14		RS 485D+	Reserved
C15	RS 485D-		
C16	GND		
C17	Alarm Output	NO/NC1	
C18		COM1	
C19		NO/NC2	Alarm Relay 2 Output (Dry Contact)
C20		COM2	
D1	Event Input	C2	Event Alarm Input 2
D2		GND	Grounding
D3		C1	Event Alarm Input 1

### 3.1.2 DS-K2602 Terminal Description

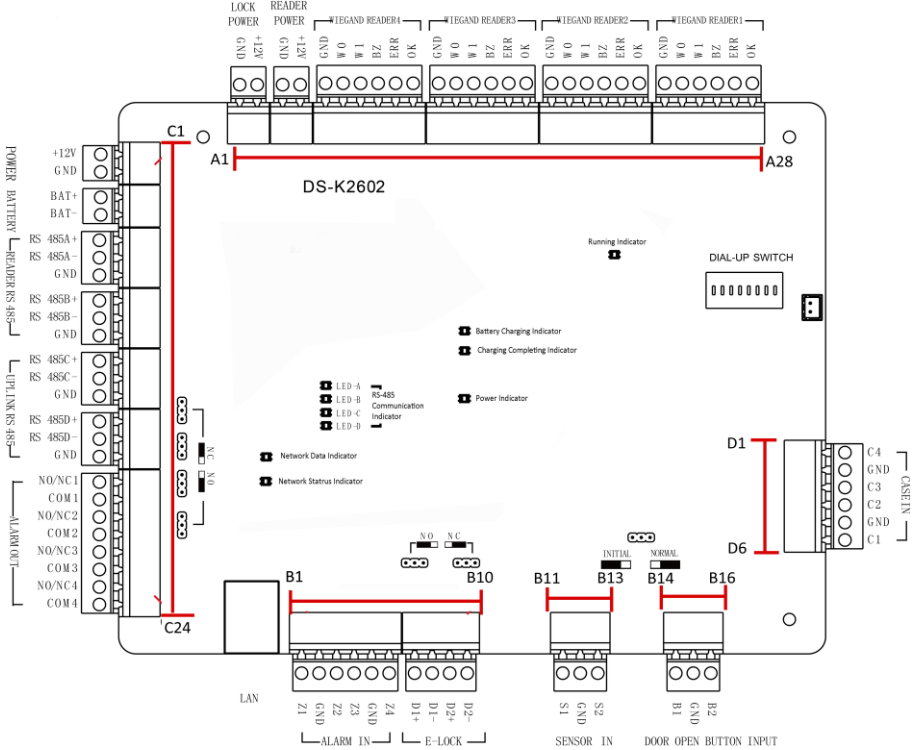


Figure 3-2 DS-K2602 Terminal Description

Table 3-2 DS-K2602 Terminal Description

No.	DS-K2602		
A1	Power for E-Lock	GND	Grounding
A2		+12V	Power Output of the Lock
A3	Power for Card Reader	GND	Grounding
A4		+12V	Power Output of the Head Read
A5	Wiegand Card Reader 4	GND	Grounding
A6		W0	Wiegand Head Read Data Input Data0
A7		W1	Wiegand Head Read Data Input Data1
A8		BZ	Card Reader Buzzer Control Output
A9		ERR	Indicator of Card Reader Control Output (Invalid Card Output)
A10		OK	Indicator of Card Reader Control Output (Valid Card Output)
A11	Wiegand Card Reader 3	GND	Grounding
A12		W0	Wiegand Head Read Data Input Data0
A13		W1	Wiegand Head Read Data Input Data1
A14		BZ	Card Reader Buzzer Control Output
A15		ERR	Indicator of Card Reader Control Output (Invalid Card Output)
A16		OK	Indicator of Card Reader Control Output (Valid Card Output)
A17	Wiegand Card Reader	GND	Grounding
A18		W0	Wiegand Head Read Data Input Data0

No.	DS-K2602		
A19	2	W1	Wiegand Head Read Data Input Data1
A20		BZ	Card Reader Buzzer Control Output
A21		ERR	Indicator of Card Reader Control Output (Invalid Card Output)
A22		OK	Indicator of Card Reader Control Output (Valid Card Output)
A23	Wiegand Card Reader 1	GND	Grounding
A24		W0	Wiegand Head Read Data Input Data0
A25		W1	Wiegand Head Read Data Input Data1
A26		BZ	Card Reader Buzzer Control Output
A27		ERR	Indicator of Card Reader Control Output (Invalid Card Output)
A28		OK	Indicator of Card Reader Control Output (Valid Card Output)
B1	Arming Region	Z1	Arming Region Access Terminal 1 (Only for Linkage of Alarm Relay Output)
B2		GND	Grounding
B3		Z2	Arming Region Access Terminal 2 (Only for Linkage of Alarm Relay Output)
B4		Z3	Arming Region Access Terminal 3 (Only for Linkage of Alarm Relay Output)
B5		GND	Grounding
B6		Z4	Arming Region Access Terminal 4 (Only for Linkage of Alarm Relay Output)
B7		E-Lock1	D1+

No.	DS-K2602		
B8		D1-	
B9	E-Lock2	D2+	Door 2 Door Relay Input (Dry Contact)
B10		D2-	
B11	Door Magnetics Detector	S1	
B12		GND	Signal Grounding
B13		S2	Door 2 Magnetic Detector Input
B14	Door Button	B1	Door 1 Door Button Input
B15		GND	Signal Grounding
B16		B2	Door 2 Door Button Input
C1	Power	+12V	DC12V Cathode
C2		GND	Grounding
C3	Battery	BAT+	DC12V Battery Cathode
C4		BAT-	DC12V Battery Anode
C5	Card Reader 485 Interface	RS 485A+	Card Reader RS485+ Access
C6		RS 485A-	Card Reader RS485- Access
C7		GND	Grounding
C8		RS 485B+	Card Reader RS485+
C9		RS 485B-	Card Reader RS485-
C10		GND	Grounding
C11	RS-485 Interface	RS 485C+	Uplink Communication Serial Port
C12		RS 485C-	

No.	DS-K2602		
C13		GND	Reserved
C14		RS 485D+	
C15		RS 485D-	
C16		GND	
C17	Alarm Output	NO/NC1	Alarm Relay 1 Output (Dry Contact)
C18		COM1	
C19		NO/NC2	Alarm Relay 2 Output (Dry Contact)
C20		COM2	
C21		NO/NC3	Alarm Relay 3 Output (Dry Contact)
C22		COM3	
C23		NO/NC4	Alarm Relay 4 Output (Dry Contact)
C24		COM4	
D1	Event Input	C4	Event Alarm Input 4
D2		GND	Grounding
D3		C3	Event Alarm Input3
D4		C2	Event Alarm Input 2
D5		GND	Grounding
D6		C1	Event Alarm Input 1

### 3.1.3 DS-K2604 Terminal Description

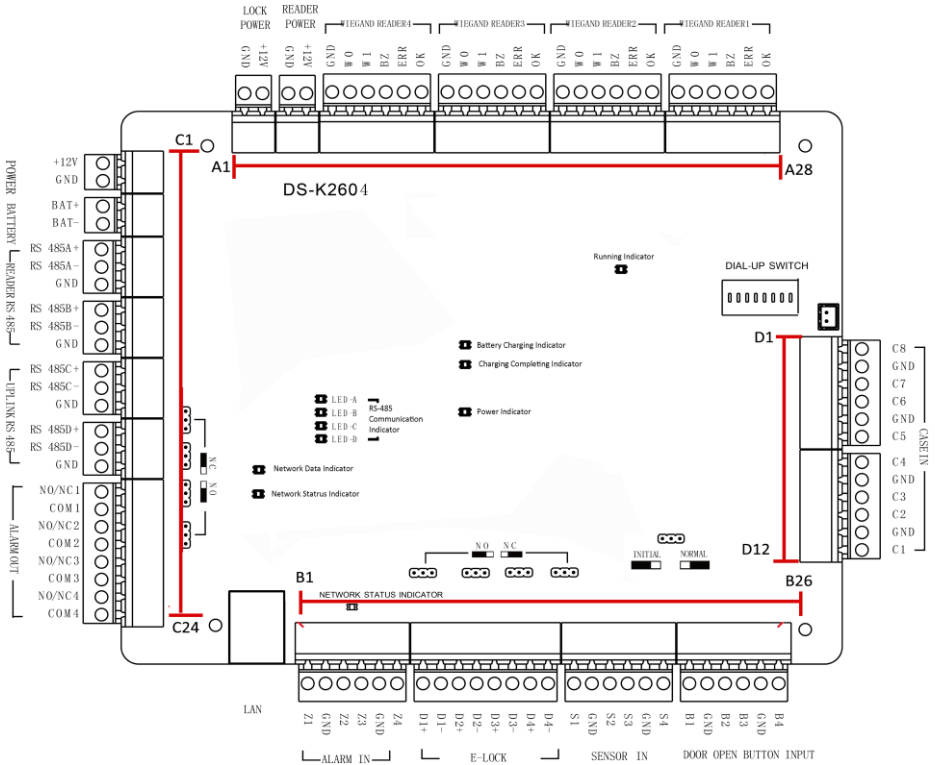


Figure 3-3 DS-K2604 Access Controller Terminals

Table 3-3 DS-K2604 Port Description

No.	DS-K2604		
A1	Power	GND	Grounding
A2	Supply of E-Lock	+12V	Power Supply of E-Lock Output
A3	Power	GND	Grounding
A4	Supply of Card Reader	+12V	Power Supply of Card Reader Output

No.	DS-K2604		
A5	Wiegand Card Reader 4	GND	Grounding
A6		W0	Wiegand Card Reader Data Input Data0
A7		W1	Wiegand Card Reader Data Input Data1
A8		BZ	Buzzer of Card Reader Control Output
A9		ERR	Cresset of Card Reader Control Output (Invalid Card Output)
A10		OK	Cresset of Card Reader Control Output (Valid Card Output)
A11	Wiegand Card Reader 3	GND	Grounding
A12		W0	Wiegand Card Reader Data Input Data0
A13		W1	Wiegand Card Reader Data Input Data1
A14		BZ	Buzzer of Card Reader Control Output
A15		ERR	Cresset of Card Reader Control Output (Invalid Card Output)
A16		OK	Cresset of Card Reader Control Output (Valid Card Output)
A17	Wiegand Card Reader 2	GND	Grounding
A18		W0	Wiegand Card Reader Data Input Data0
A19		W1	Wiegand Card Reader Data Input Data1
A20		BZ	Buzzer of Card Reader Control Output
A21		ERR	Cresset of Card Reader Control Output (Invalid Card Output)
A22		OK	Cresset of Card Reader Control Output (Valid Card Output)



No.	DS-K2604		
A23	Wiegand Card Reader 1	GND	Grounding
A24		W0	Wiegand Card Reader Data Input Data0
A25		W1	Wiegand Card Reader Data Input Data1
A26		BZ	Buzzer of Card Reader Control Output
A27		ERR	Cresset of Card Reader Control Output (Invalid Card Output)
A28		OK	Cresset of Card Reader Control Output (Valid Card Output)
B1	Arming Region Input	Z1	Arming Region Access Terminal 1 (Only for Linkage of Alarm Relay Output)
B2		GND	Grounding
B3		Z2	Arming Region Access Terminal 2 (Only for Linkage of Alarm Relay Output)
B4		Z3	Arming Region Access Terminal 3 (Only for Linkage of Alarm Relay Output)
B5		GND	Grounding
B6		Z4	Arming Region Access Terminal 4 (Only for Linkage of Alarm Relay Output)
B7	E-Lock 1	D1+	Door 1 Door Relay Input (Dry Contact)
B8		D1-	
B9	E-Lock 2	D2+	Door 2 Door Relay Input (Dry Contact)
B10		D2-	
B11	E-Lock 3	D3+	Door 3 Door Relay Input (Dry Contact)

No.	DS-K2604		
B12		D3-	
B13	E-Lock 4	D4+	Door 4 Door Relay Input (Dry Contact)
B14		D4-	
B15	Door Magnetics Input	S1	
B16		GND	Signal Grounding
B17		S2	Door 2 Magnetic Detector Input
B18		S3	Door 3 Magnetic Detector Input
B19		GND	Signal Grounding
B20		S4	Door 4 Magnetic Detector Input
B21	Door Button	B1	Door 1 Door Button Input
B22		GND	Signal Grounding
B23		B2	Door 2 Door Button Input
B24		B3	Door 3 Door Button Input
B25		GND	Signal Grounding
B26		B4	Door 4 Door Button Input
C1	Power	+12V	DC12V Cathode
C2		GND	Grounding
C3	Battery	BAT+	DC12V Battery Cathode
C4		BAT-	DC12V Battery Anode
C5	Card Reader RS485	RS 485A+	Card Reader RS485A+
C6		RS 485A-	Card Reader RS485A-
C7		GND	Grounding

No.	DS-K2604		
C8		RS 485B+	Card Reader RS485B+
C9		RS 485B-	Card Reader RS485B-
C10		GND	Grounding
C11	Access Controller RS485	RS 485C+	Uplink Communication Serial Port
C12		RS 485C-	
C13		GND	
C14		RS 485D+	Reserved
C15		RS 485D-	
C16		GND	
C17	NO/NC1	Alarm Relay 1 Output (Dry Contact)	
C18	COM1		
C19	NO/NC2	Alarm Relay 2 Output (Dry Contact)	
C20	COM2		
C21	NO/NC3	Alarm Relay 3 Output (Dry Contact)	
C22	COM3		
C23	NO/NC4	Alarm Relay 4 Output (Dry Contact)	
C24	COM4		
D1	Event Input	C8	Event Alarm Input 8
D2		GND	Grounding
D3		C7	Event Alarm Input 7
D4		C6	Event Alarm Input 6
D5		GND	Grounding

No.	DS-K2604		
D6	C5	Event Alarm Input 5	
D7	C4	Event Alarm Input 4	
D8	GND	Grounding	
D9	C3	Event Alarm Input3	
D10	C2	Event Alarm Input 2	
D11	GND	Grounding	
D12	C1	Event Alarm Input 1	



**Note:**

- The Alarm input hardware interface is normally open by default. So only the normally open signal is allowed. It can be linked to the buzzer of the card reader and access controller, and the alarm relay output and open door relay output.
- Arming region alarm input is only for the alarm relay output linkage.
- RS485 card ID should be set as 1to 8. For example, the ID of door 1 is 1 and 2 standing for in and out respectively.
- For single-door access controller, the Wiegand card reader 1 and 2 respectively correspond to the entering and exiting card readers of door 1. For two-door access controller, the Wiegand card reader 1 and 2 respectively correspond to the entering and exiting card readers of door 1 , and the Wiegand card reader 3 and 4 respectively correspond to the entering and exiting card readers of door 2. For single-door access controller, the Wiegand card reader 1, 2, 3 and 4 respectively correspond to the entering card readers of door 1, 2, 3, and 4.

# 4 Card Reader Installation

## 4.1 External Terminal

### 4.1.1 DS-K2601 External Terminals

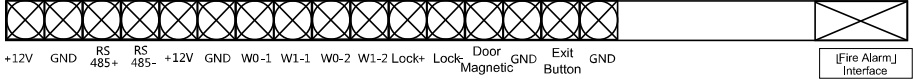


Figure 4-1 DS-K2601 External Terminals

### 4.1.2 DS-K2602 External Terminals

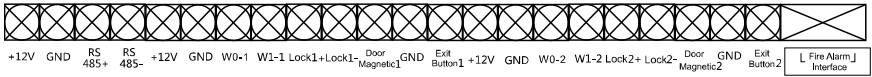


Figure 4-2 DS-K2602 External Terminals

### 4.1.3 DS-K2604 External Terminals



Figure 4-3 DS-K2604 External Terminals

## 4.2 Card Reader Installation

### 4.2.4 The Connection of Wiegand Card Reader

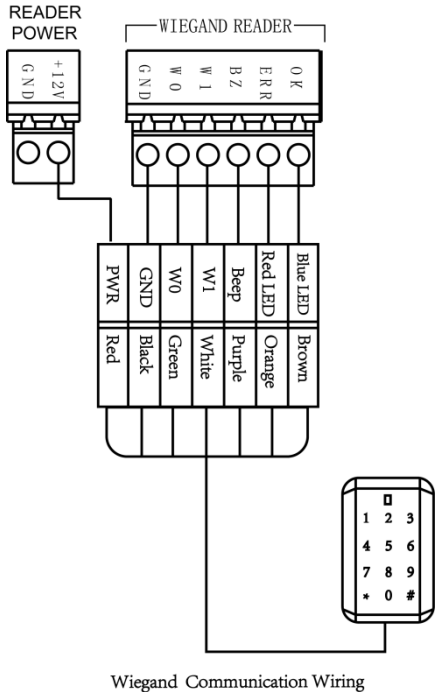


Figure 4-4 Wiring diagram of Wiegand card reader



**Note:**

You must connect the OK/ERR/BZ, if using access controller to control the LED and buzzer of the Wiegand card reader.

### 4.2.5 RS485 Card Reader Connection

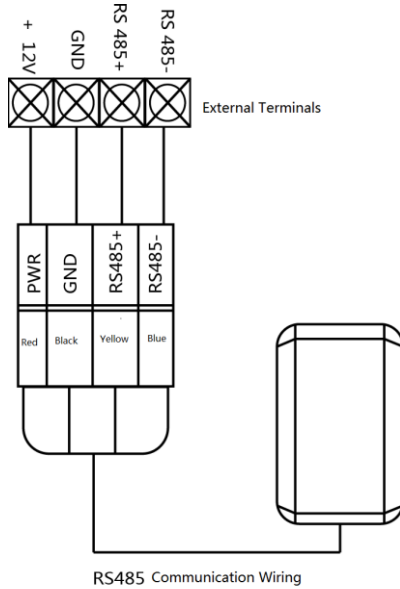


Figure 4-5 Wiring diagram of RS485

## 4.3 Installing E-Lock

### 4.3.1 Installation of Cathode Lock

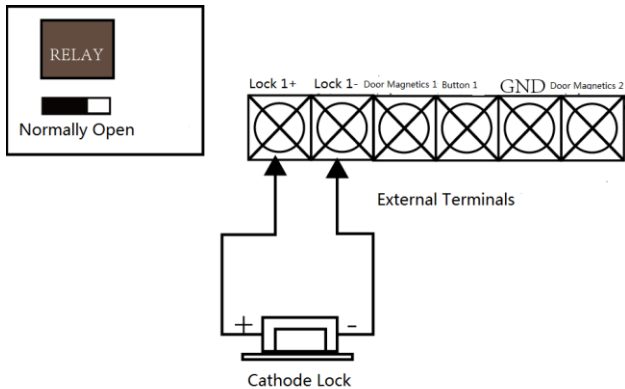


Figure 4-6 Wiring diagram of cathode lock

### 4.3.2 Installation of Anode Lock

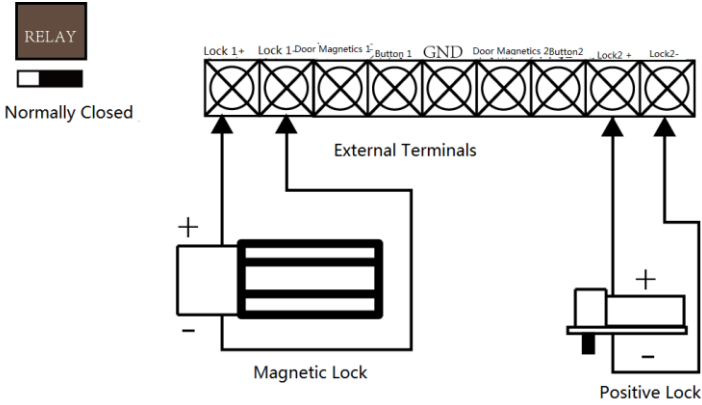


Figure 4-7 Wiring diagram of anode lock

### 4.4 Connecting the External Alarm Device

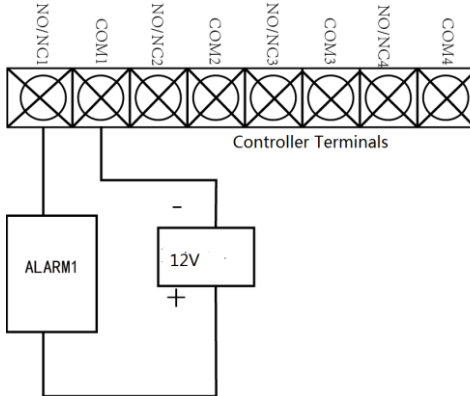


Figure 4-8 External Alarm Device Connection



### 4.5 Door Button Wiring Diagram

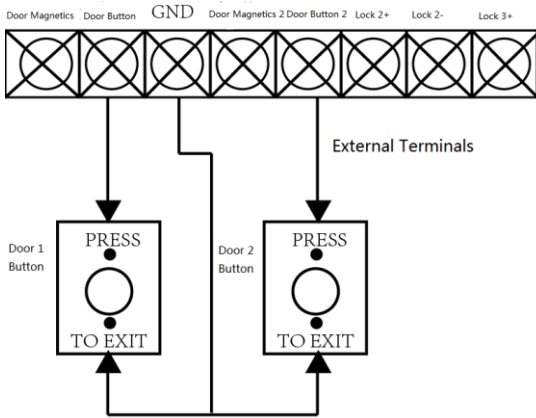


Figure 4-9 Power Button Connection

### 4.6 The Connection of Magnetics Detection

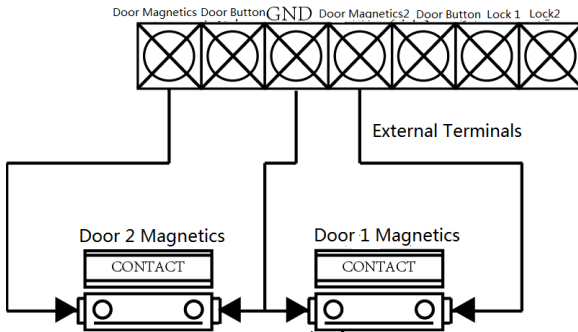


Figure 4-10 Magnetics Connection

## 4.7 Connecting Power Supply

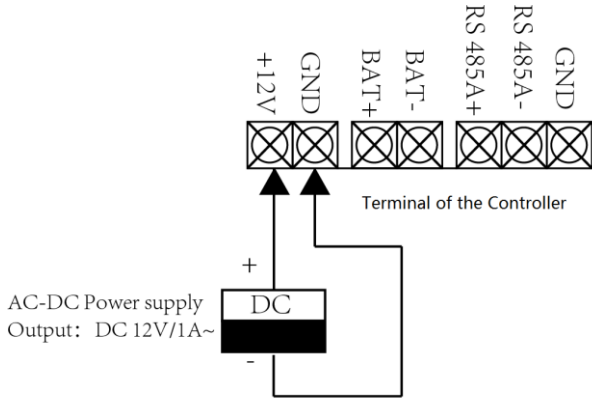


Figure 4-11 Power Supply Connection

## 4.8 Arming Region Input Terminal

### 4.8.1 Connecting Normally Open Detector

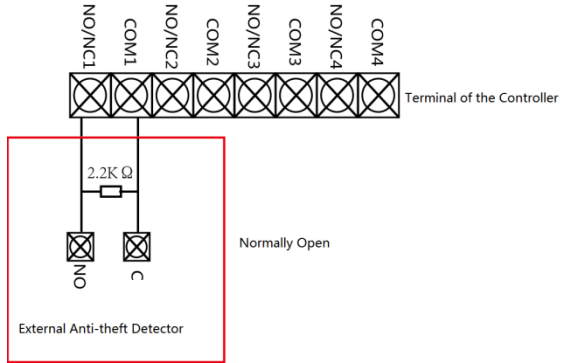


Figure 4-12 Normally Open Status

### 4.8.2 Connecting Normally Closed Detector

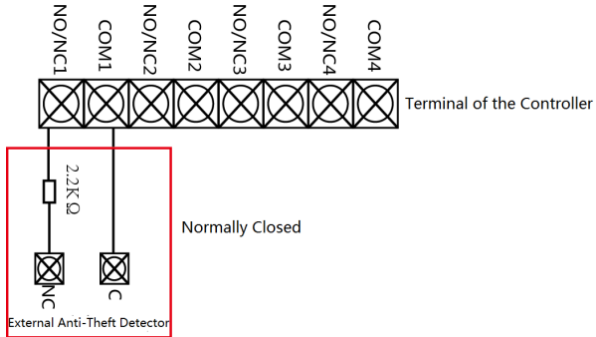


Figure 4-13 Normally Closed Status

## 4.9 Fire Alarm Module Wiring

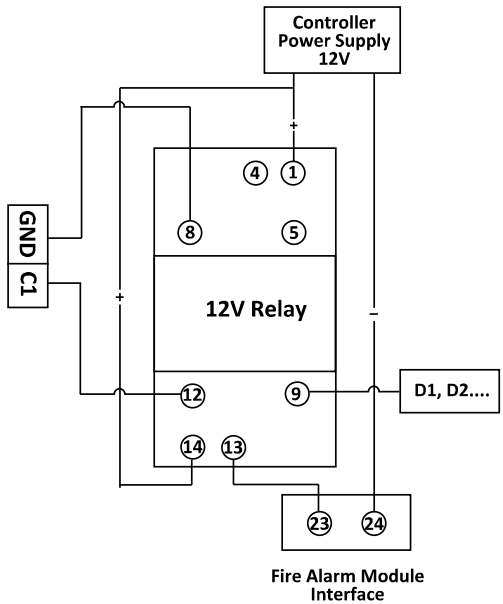


Figure 4-14 Fire Alarm Module Wiring

# 5 Settings

## 5.1 Initializing the Hardware

**Steps:**

1. Jump the jumper cap from Normal to Initial.
2. Disconnect the power and restart the access controller, the controller buzzer buzzes a long warning.
3. After the buzzer stops, jump the jumper cap back to Normal.
4. Disconnect the power and restart the access controller.

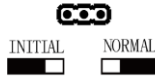


Figure 5-1 Initialization Dial-up



**Note:**

The initializing of the hardware will restore all the parameters to the default setting and all the device events are wiping out.

## 5.2 Relay Input NO/NC

### 5.2.1 Lock Relay Output

Lock Relay Normally Open Status

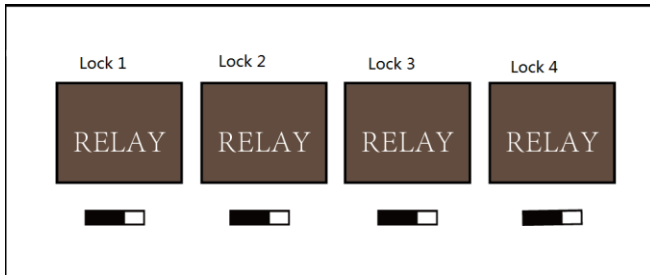


Figure 5-2 Normally Open Status

### Lock Relay Normally Closed Status

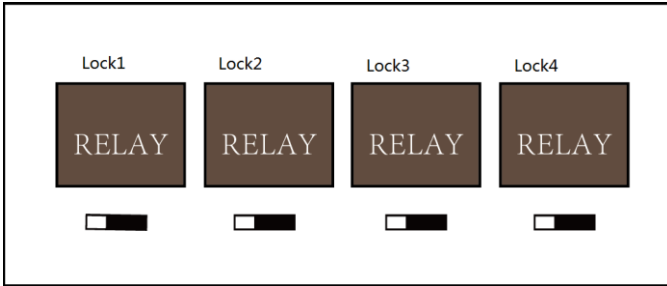


Figure 5-3 Normally Closed Status

## 5.2.2 Alarm Relay Output Status

### Alarm Relay Output Normally Open

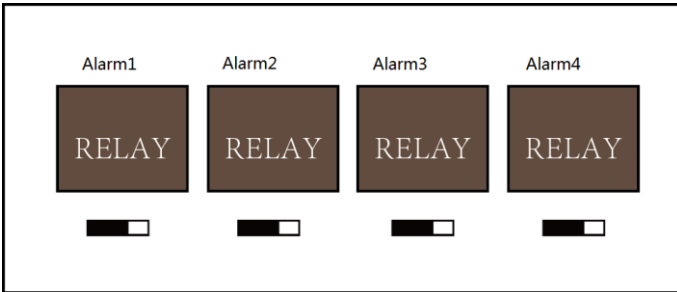


Figure 5-4 Alarm Relay Output Normally Open

### Alarm Relay Output Normally Closed

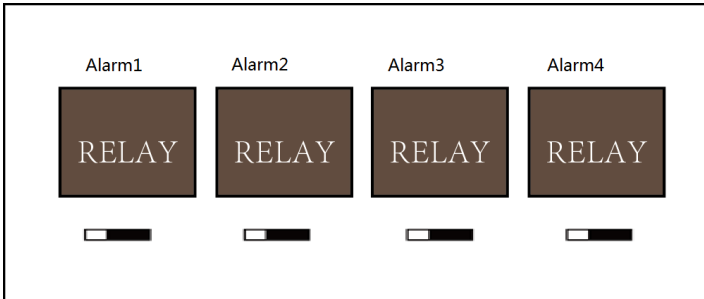


Figure 5-5 Normally Closed Status

### Work Flow of Software

For detailed information, please see the user manual of the client software.

Refer to the following work flow:

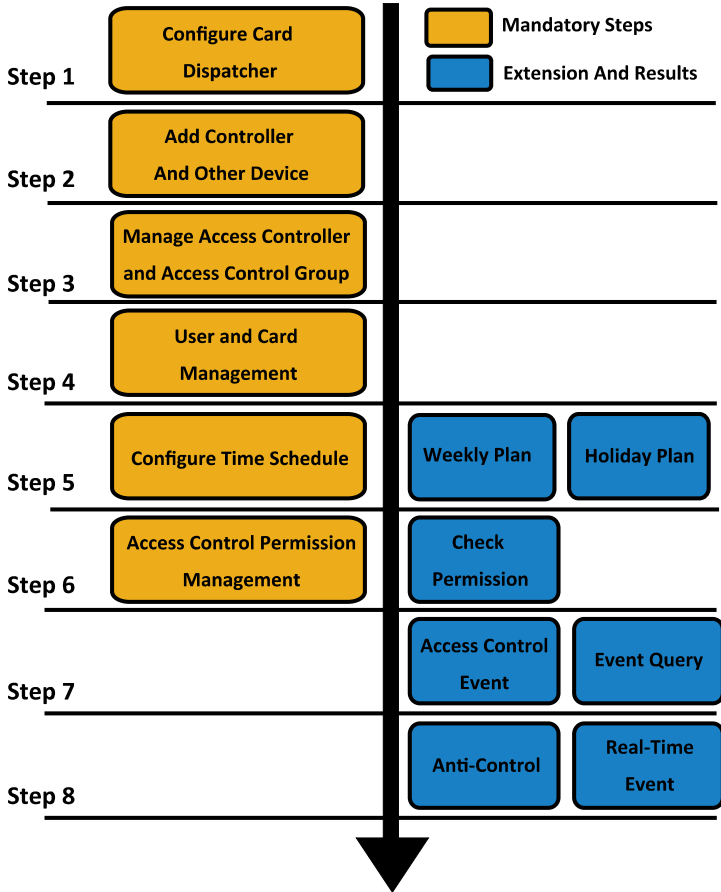


Figure 5-6 Software Client Work Flow

## 6 Activating the Control Panel

---

***Purpose:***

You are required to activate the control panel first before you can use the control panel.

Activation via SADP, and Activation via client software are supported.

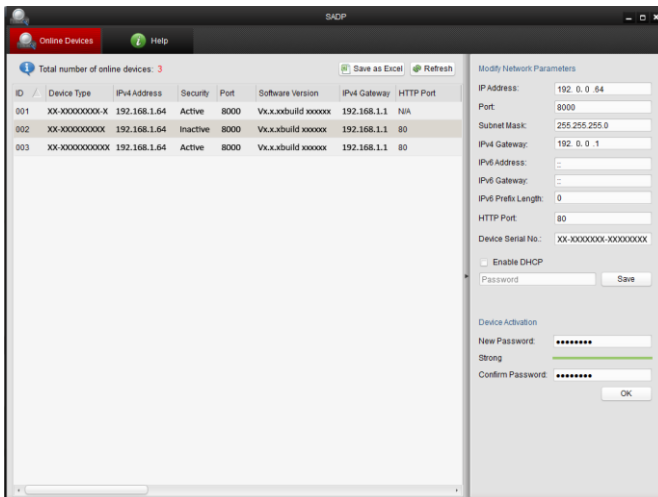
### 6.1 Activation via SADP Software

SADP software is used for detecting the online device, activating the device, and resetting the password.

Get the SADP software from the supplied disk or the official website, and install the SADP according to the prompts. Follow the steps to activate the control panel.

***Steps:***

1. Run the SADP software to search the online devices.
2. Check the device status from the device list, and select an inactive device.



3. Create a password and input the password in the password field, and confirm the password.



**STRONG PASSWORD RECOMMENDED**– We highly recommend you create a strong password of your own choosing (using a minimum of 8 characters, including upper case letters, lower case letters, numbers, and special characters) in order to increase the security of your product. And we recommend you reset your password regularly, especially in the high security system, resetting the password monthly or weekly can better protect your product.

4. Click **OK** to save the password.



You can check whether the activation is completed on the pop-up window. If activation failed, please make sure that the password meets the requirement and then try again.

5. Change the device IP address to the same subnet with your computer by either modifying the IP address manually or checking the checkbox of Enable DHCP.

Modify Network Parameters

IP Address: 192.0.0.64

Port: 8000

Subnet Mask: 255.255.255.0

IPv4 Gateway: 192.0.0.1

IPv6 Address: ::

IPv6 Gateway: ::

IPv6 Prefix Length: 0

HTTP Port: 80

Device Serial No.: XX-XXXXXXX-XXXXXXX

Enable DHCP

Password  Save

6. Input the password and click the **Save** button to activate your IP address modification.

## 6.2 Activation via Client Software


The client software is versatile video management software for multiple kinds of devices.

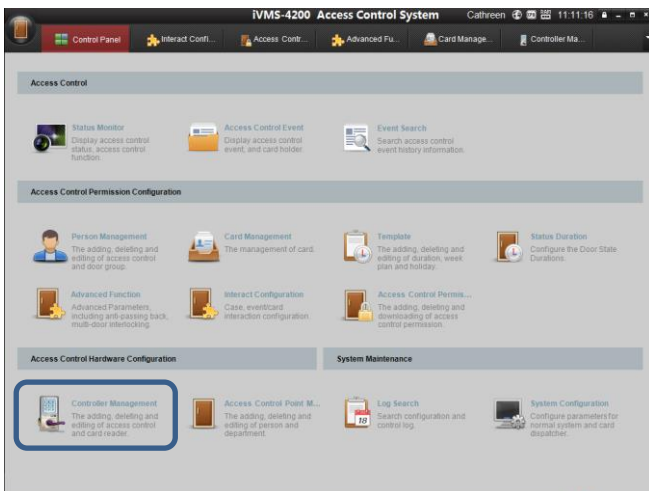
Get the client software from the supplied disk or the official website, and install the software according to the prompts. Follow the steps to activate the control panel.

**Steps:**

1. Run the client software and the control panel of the software pops up, as shown in the figure below.

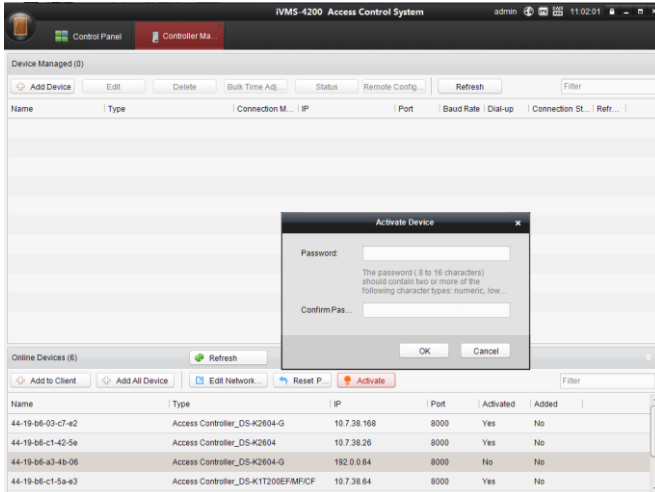


2. Click the  icon on the upper-left side of the page, select **Access Control** to enter the control panel.



3. Click the **Controller Management** icon to enter the Controller Management interface, as shown in the figure below.

## DS-K2600 Series Access Controller



4. Check the device status from the device list, and select an inactive device.
5. Click the **Activate** button to pop up the Activation interface.



6. Create a password and input the password in the password field, and confirm the password.



**STRONG PASSWORD RECOMMENDED**– *We highly recommend you create a strong password of your own choosing (using a minimum of 8 characters, including upper case letters, lower case letters, numbers, and special characters) in order to increase the security of your product. And we recommend you reset your password regularly, especially in the high security system, resetting the password monthly or weekly can better protect your product.*


Activate Device

Password:

The password ( 8 to 16 characters) should contain two or more of the following character types: numeric, low...

Confirm Pas...

OK Cancel

7. Click **OK** button to start activation.
8. Click the  button to pop up the Network Parameter Modification interface.
9. Change the device IP address to the same subnet with your computer by either modifying the IP address manually or checking the checkbox of Enable DHCP.
10. Input the password to activate your IP address modification.

**First Choice for Security Professionals**